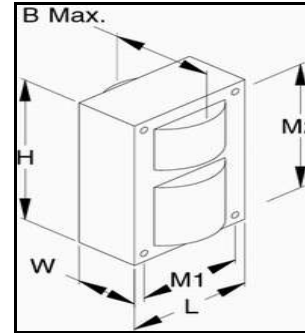
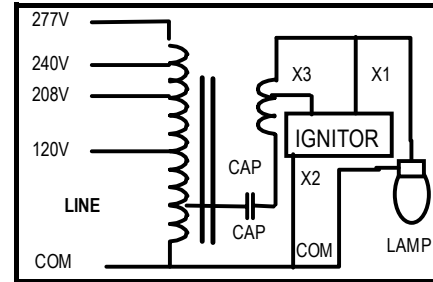


General Information

Lamp Type	1000W HPS
ANSI Designation	S52
Line Voltage (V)	120/208/240/277
Regulation	10%
Frequency (Hz)	60
Recommended Fuse (A)	20/15/10/10
Circuit Type	CWA
Insulation Class	180°F
Capacitor Value	26 MF
Capacitor Voltage Rating	500 V
Cap. Temp. Rating	90°C
Winding Materials (Pri/Sec)	Cu/Cu
Lamp Starter	XG-03
Agency Certification	RU, cRU
Maximum Distance to Lamp	15 FT

Wiring Diagram



Electrical Characteristics

Line Volt (V)	Power Factor	Line Current (A)			Input Power (W)	Open Circuit Voltage (V)	Min Start Temp.	UL Temp. Code
		Operating	Open	Start				
120	High	9.91	5.45	6.55	1100	430	-40°C	H
208	High	5.57	2.72	3.82	1100	430	-40°C	H
240	High	5.29	2.89	3.29	1100	430	-40°C	H
277	High	4.64	2.54	2.78	1100	430	-40°C	H

Physical Characteristics

Overall Dimensions (Inches)				Mounting Holes (Inches)			Bracket Dimension (Inches)		Ballast Net Weight (KG)	Lead Length (Inches)
Length	Width	Height	B max.	Diameter	M1	M2	Length	Width		
4.30	3.74	6.02	5.99	0.25	3.89	5.37	7.25	1.11	12.7	12-14