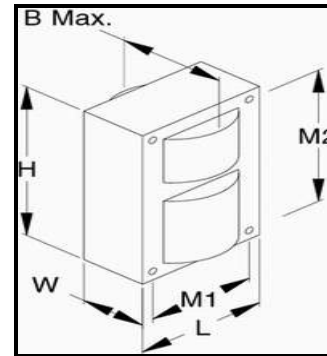
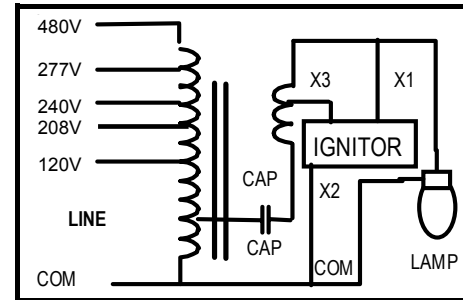


General Information

Lamp Type	400W HPS
ANSI Designation	S51
Line Voltage (V)	120/208/240/277/480
Regulation	10%
Frequency (Hz)	60
Recommended Fuse (A)	15/8/8/5/5
Circuit Type	CWA
Insulation Class	180°C
Capacitor Value	55 MF
Capacitor Voltage Rating	300 V
Cap. Temp. Rating	90°C
Winding Materials (Pri/Sec)	Cu/Cu
Lamp Starter	XG-02
Agency Certification	RU, cRU
Maximum Distance to Lamp	10 FT

Wiring Diagram



Electrical Characteristics

Line Volt (V)	Power Factor	Line Current (A)			Input Power (W)	Open Circuit Voltage (V)	Min Start Temp.	UL Temp. Code
		Operating	Open	Start				
120	High	4.00	2.21	3.10	465	194	-40°C	D
208	High	2.40	1.29	1.80	465	194	-40°C	D
240	High	2.20	1.11	1.60	465	194	-40°C	D
277	High	1.70	0.96	1.35	465	194	-40°C	D
480	High	1.10	0.55	0.78	465	194	-40°C	D

Physical Characteristics

Overall Dimensions (Inches)				Mounting Holes (Inches)			Bracket Dimension (Inches)		Ballast Net Weight (KG)	Lead Length (Inches)
Length	Width	Height	B max.	Diameter	M1	M2	Length	Width		
4.30	2.34	4.80	4.25	0.25	3.87	4.38	7.25	1.11	6.33	12-14